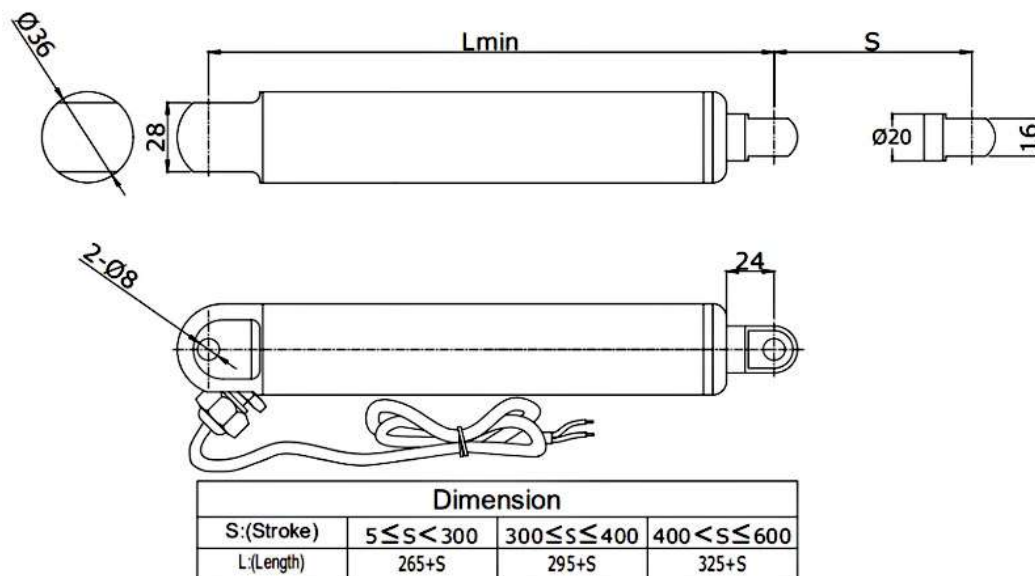


Specifications

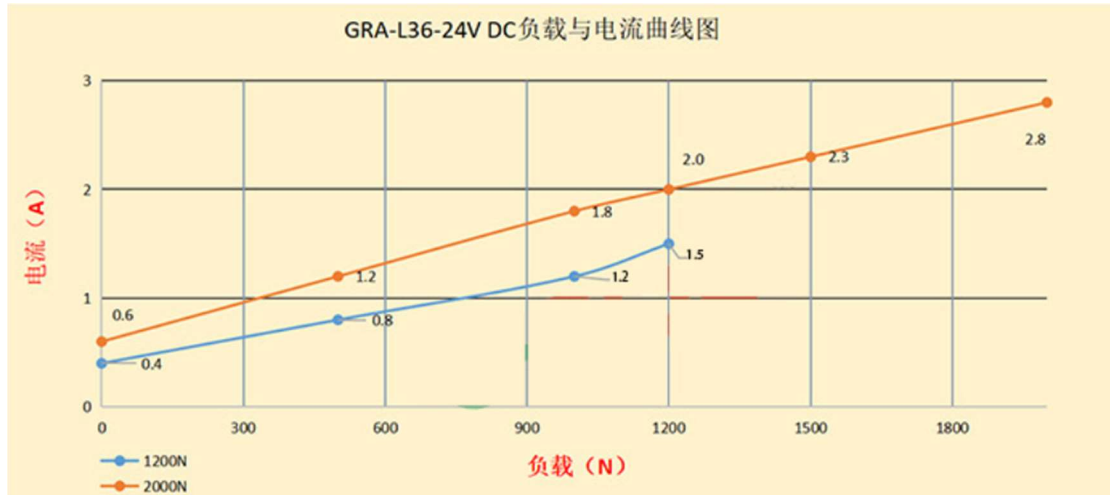
Model	Rated Load (N)	Speed(mm/s) ±10%		Current (A)				IP Rating	Material
				12V		24V			
		No-load	Load	No-load	Load	No-load	Load		
SL-LA-36-A	2000	9.0	6.5	1.0	4.0	0.6	2.5	IP66	Aluminum Alloy/ Stainless Steel
SL-LA-36-B	1000	7.5	5.5	0.6	3.0	0.3	1.5		
SL-LA-36-C	750	15.0	10.0	0.6	3.0	0.3	1.5		

Dimension

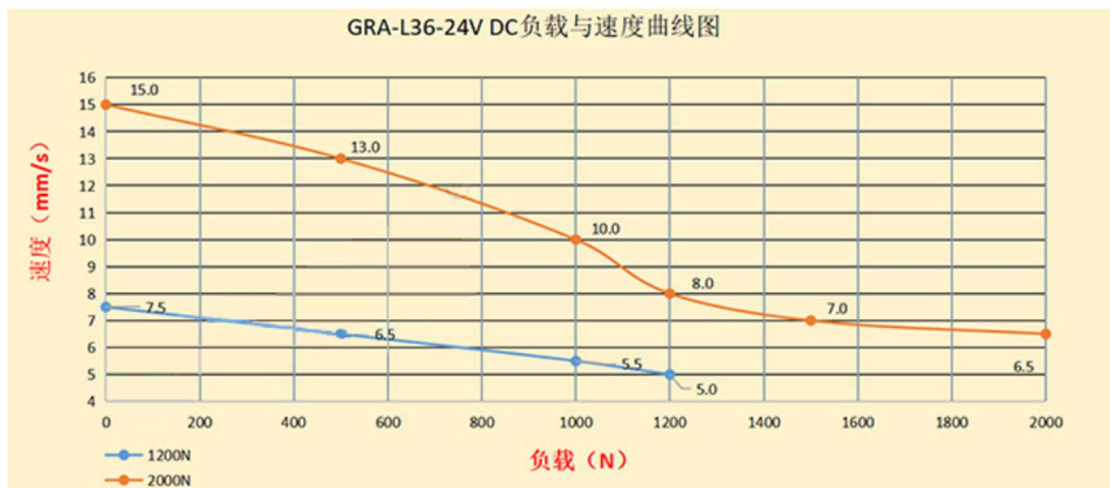


Stroke	Close Length	Open Length
50mm	315mm	365mm
100mm	365mm	465mm
150mm	415mm	565mm
200mm	465mm	665mm
250mm	515mm	765mm
300mm	595mm	895mm
350mm	645mm	995mm
400mm	695mm	1095mm
450mm	775mm	1225mm

Load vs. Current Curve Graph



Load vs Speed Curve Graph



Connector Options



U-shaped Connector



External Thread Connector



Disc Flange Connector



Milled Flat Connector



PHS Fisheye Connector



Arc Connector

Support

Email: sales@fandeei.com

T/WhatsApp: +8615902990387